

# BLUEMONT AVE IMPROVEMENTS

Presented by  
Nathan Bergman, P.E.

# PROJECT HISTORY

- 2010, KDOT selected Bluemont Ave for Safety Funding = \$750,000 with a 90/10 split
- June 2011 Bartlett & West selected for project design; KDOT funding increased to \$900,000
- Design team developed multiple options & met with KSU, ABA, individual property owners, Urban Planning Board, Bicycle Advisory Committee and ultimately the City Commission on Nov. 29, 2011.

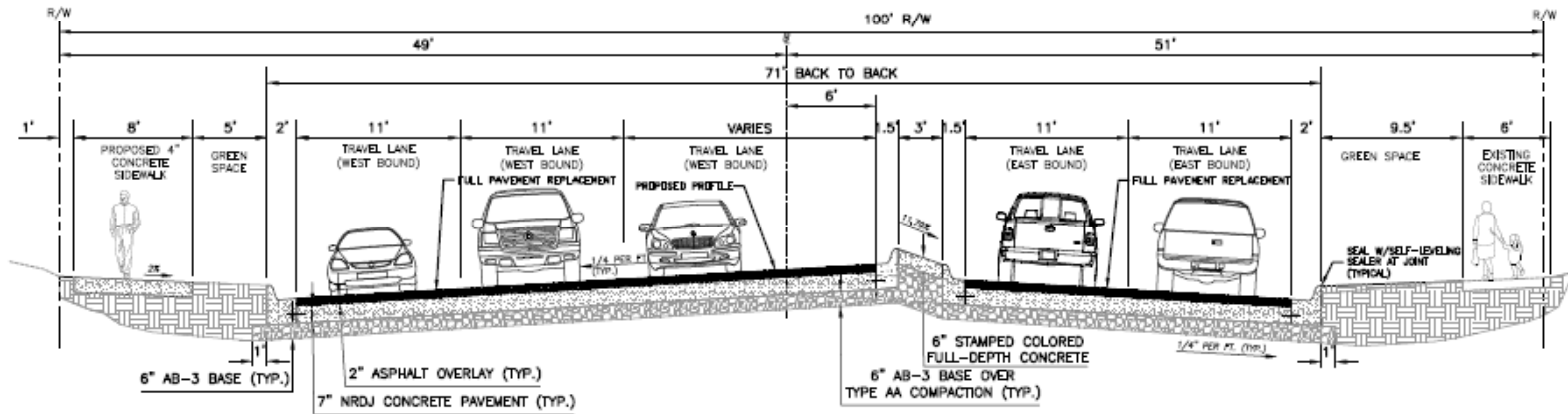
# Bluemont Ave (East)





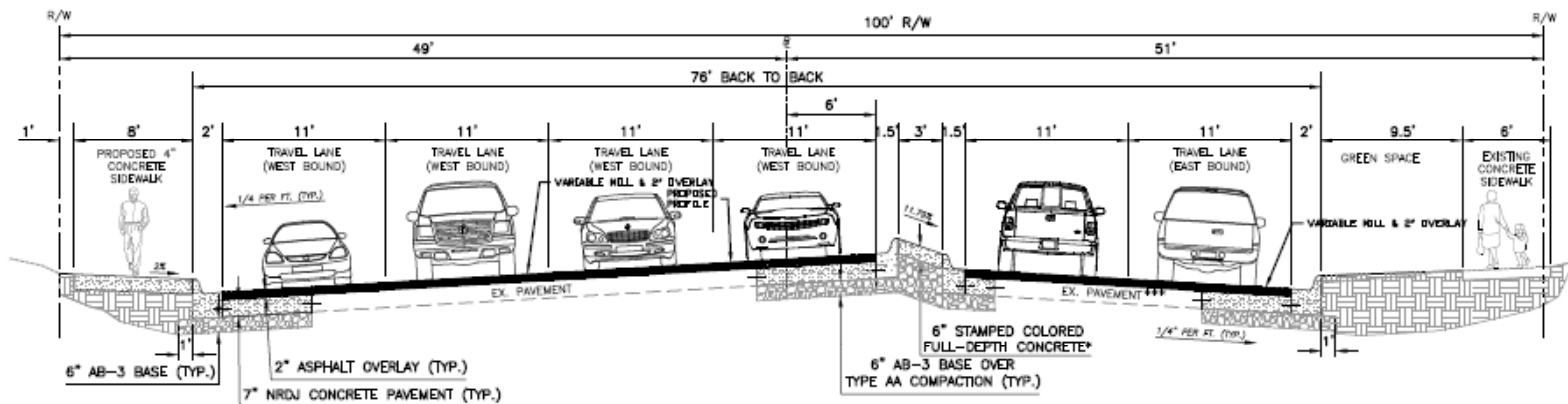
# Bluemont Ave (West)





**6 LANE TYPICAL SECTION**

BLUEMONT AVE.  
STA 15+75 TO 16+35



**6 LANE TYPICAL SECTION**

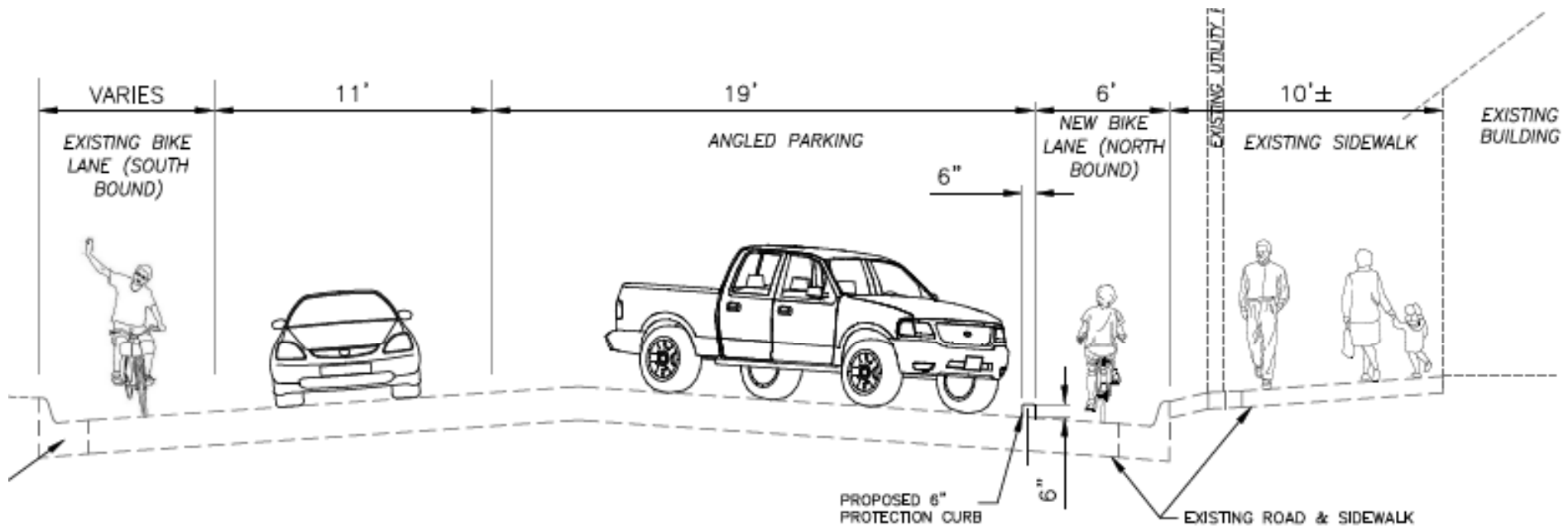
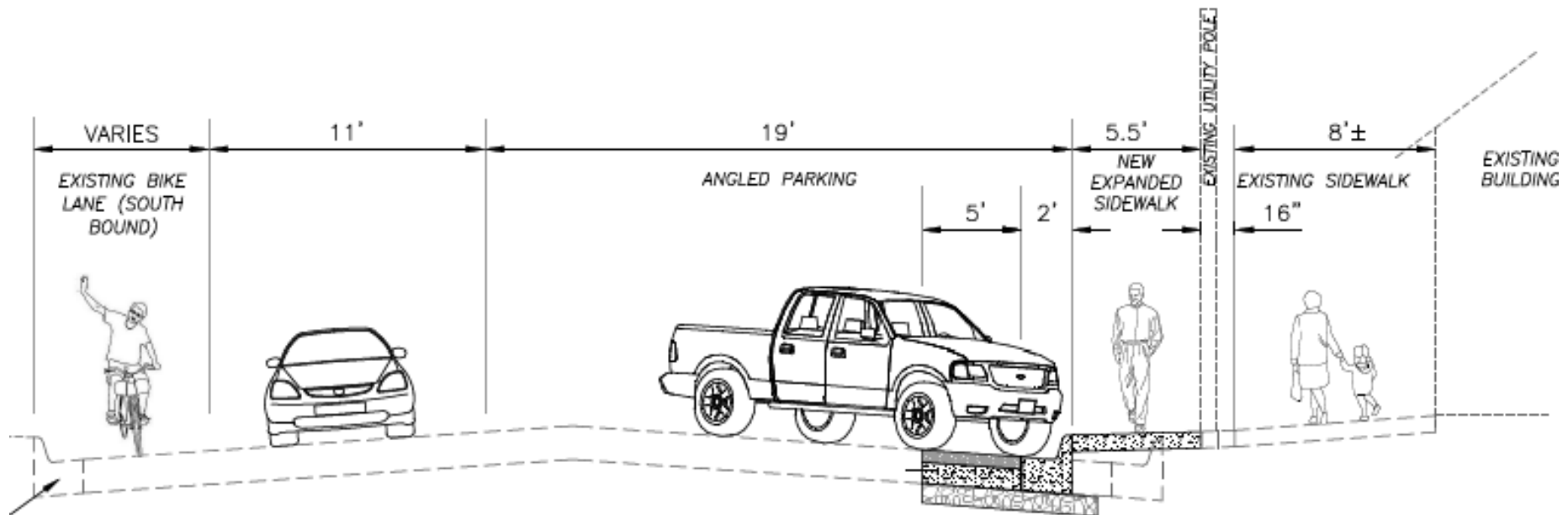
BLUEMONT AVE.  
STA 13+05 TO 15+75

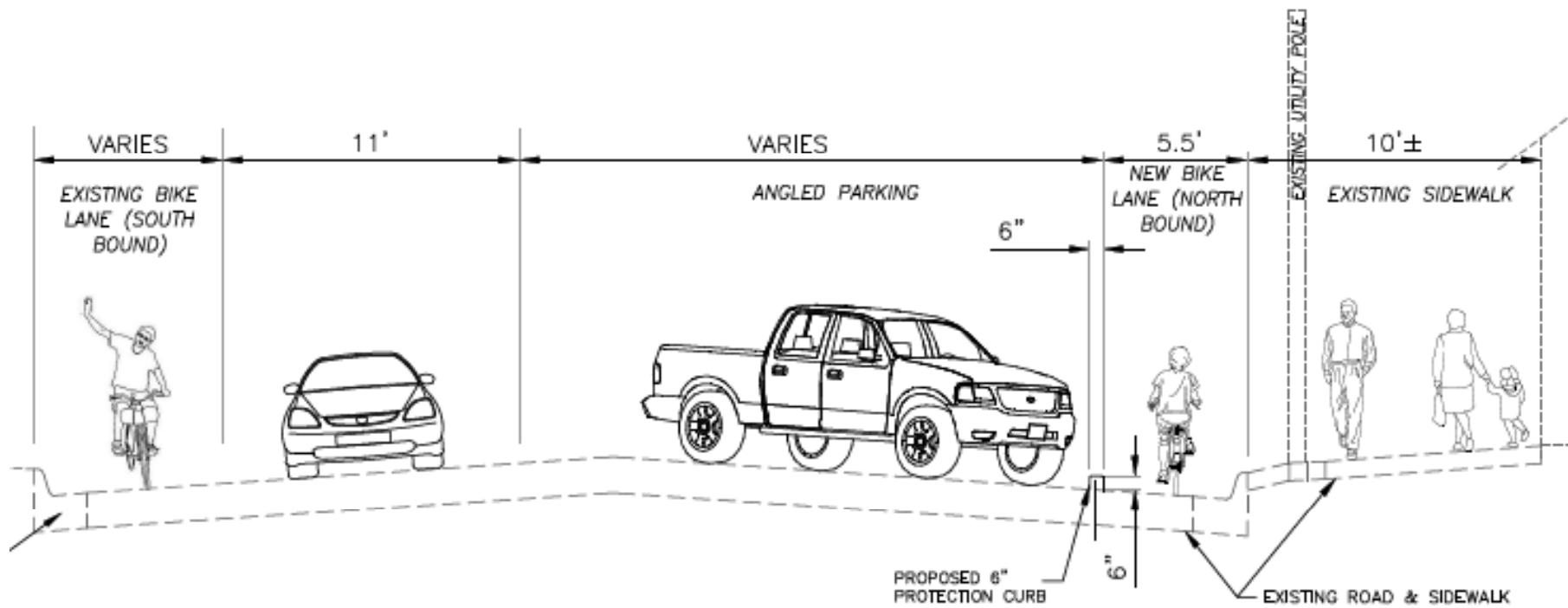
BLUEMONT AVENUE  
EXAMPLE



# N. Manhattan Ave

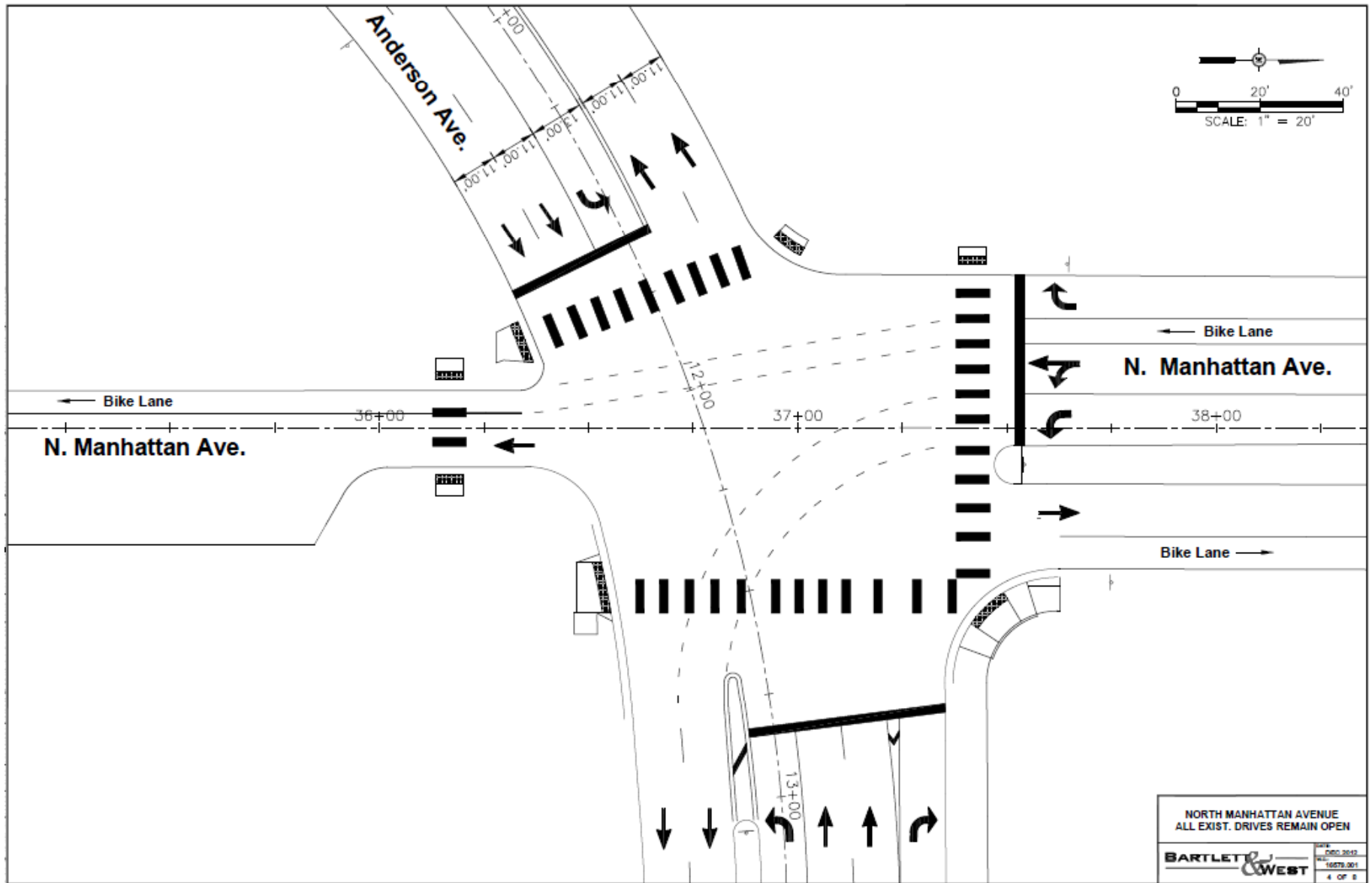






**N. MANHATTAN AVE. TYPICAL SECTION**  
(SOUTH OF BLUEMONT AVE.)





# PROJECT BUDGET

- Construction \$1,300,000
  - Design & Right of Way \$160,000
  - Construction Engineering \$200,000
  - TOTAL COST = \$1,360,000
- 
- Funding Sources
    - KDOT \$900,000
    - City University Funds \$165,000
    - City's Share \$595,000 – Bonded over 10 years w/debt service from Special Street & Highway Fund